

# THOR TECHNOLOGIES HARD WIRE PRODUCT DRM95-20A CONNECTION GUIDE



## **DISCLAIMER:**

THIS GUIDE HAS BEEN COMPILED AS A CONNECTION GUIDE **ONLY** FOR 'THOR TECHNOLOGIES' HARDWARE PRODUCT DRM95-20A

**IT IS NOT A GUIDE OR INSTRUCTION** FOR THE CONFIGURATION / ORIENTATION OF A SWITCHBOARD OR ANY OF THE FITTINGS USED THEREIN. DUE TO THE VARIETY OF FITTINGS USED SOME FITTINGS MAY BE DRAWN BASED ON A REVERSED CONFIGURATION AS SUPPLIED BY A MANUFACTURER . AS TO THE ORIENTATION OF THE ... SW... CCB... RCD... RCBO...ETC... WHICH MAY VARY BETWEEN STATES AND TERRITORIES. **THE IMPORTANT PARTS ARE THE HIGHLIGHTED IN THE WIRING DIAGRAMS FOR THE THOR TECHNOLOGIES DRM95-20A**

**ALL WIRING MUST BE CARRIED OUT BY A LICENCED ELECTRICIAN AND ALL WORK IS SUBJECT TO REGULATIONS IN EACH STATE AND TERRITORY**

ALL DRAWINGS SUBJECT TO CHANGE WITHOUT NOTICE.

## THE FOLLOWING DRAWINGS COVER VARIOUS WAYS TO WIRE IN 'THOR TECHNOLOGIES HARDWARE PRODUCT' DRM95-20A

DUE TO THE VARIOUS WAYS THAT MANY PREMISES ARE WIRED THERE IS NO ABSOLUTE GUARANTEE THAT THE PRODUCT WILL FIX ALL PROBLEMS EVEN IF IT IS WIRED AS PER INSTRUCTIONS.

**EACH PRODUCT HAS SOME VARIATIONS AS TO WIRING, PLEASE READ THE INSTRUCTIONS BEFORE INSTALLING**

### **SPECIAL INSTRUCTIONS FOR ALL 'THOR TECHNOLOGIES HARDWARE PRODUCTS'**

THE NEUTRAL CONNECTION OUTPUT FROM THE THOR TECHNOLOGIES HARDWARE PRODUCT DRM95-20A MUST BE USED AS A FULLY ISOLATED NEUTRAL OUT FOR THE CIRCUIT OUTPUT BEING PROTECTED / FILTERED ....

**DO NOT RETURN THE NEUTRAL OUT FROM THE DRM95-20A TO THE COMMON NEUTRAL BAR...OR CROSS WIRE INTO EXISTING CIRCUITS WHERE THAT CIRCUITS' NEUTRAL IS RETURNED TO THE COMMON NEUTRAL BAR AT THE SWITCHBOARD ... DOING SO WILL CAUSE THE PRODUCT TO OVERHEAT AND SUBSEQUENTLY FAIL.**

**INSTALLER CREATED OR EXISTING PROBLEMS ARE NOT COVERED BY THOR TECHNOLOGIES PRODUCT WARRANTIES WRITTEN, IMPLIED OR OTHERWISE.**

**THE DRM95-20A CIRCUIT SHOULD BE TOTALLY INDEPENDENT AND ISOLATED**

### **DRM95-20A**

- EARTH MUST BE FITTED ONLY TO THE INPUT SIDE FOR THE PROTECTION AND FILTRATION CIRCUITS TO OPERATE CORRECTLY
- THE OUTPUT EARTH CONNECTION IS NOT AVAILABLE IN ORDER TO MAXIMISE THE EFFICIENCY OF THE DYNAMIC ACTIVE TRACKING FILTER. ON THE OUTPUT ONLY THE ACTIVE AND NEUTRAL OUTPUT SHOULD BE USED AND EARTH SHOULD BE CONNECTED TO THE STANDARD SWITCHBOARD EARTH BAR



**DRM95-20A**

**FILTERED & SURGE  
PROTECTED OUTLETS**

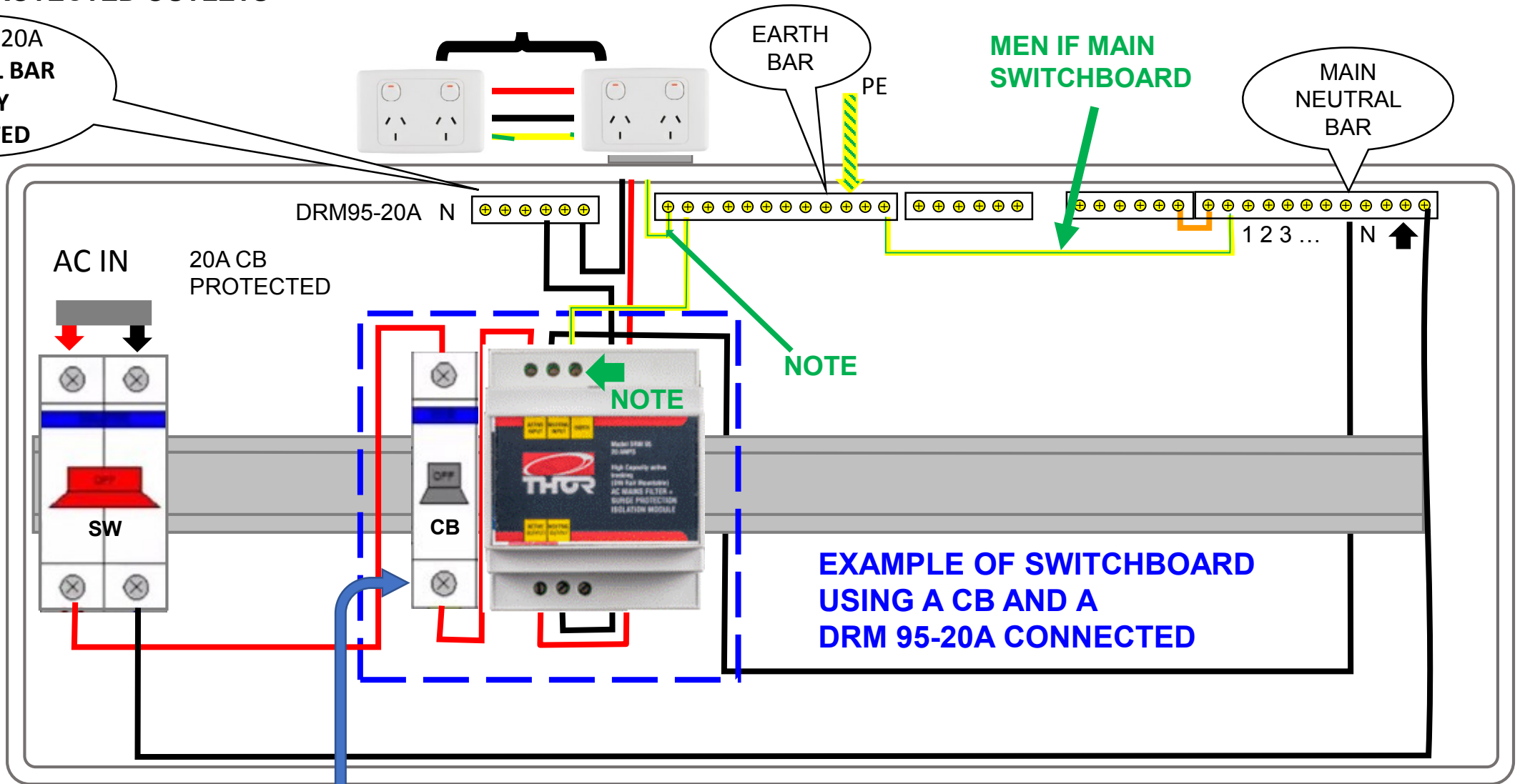
**20A MAX PER CIRCUIT NOT PER OUTLET**

DRM95-20A  
NEUTRAL BAR  
FULLY  
ISOLATED

EARTH  
BAR

MEN IF MAIN  
SWITCHBOARD

MAIN  
NEUTRAL  
BAR



20A CB can be used  
Subject to Regulations

**NOTE: EARTH CONNECTION REQUIRED INPUT ONLY ... FOR OUTPUTS USE EARTH BAR**

**GUIDE ONLY FOR THOR DRM95-20A ... ALL WIRING SUBJECT TO REGULATIONS IN EACH STATE AND TERRITORY**

**FILTERED & SURGE  
PROTECTED OUTLETS**

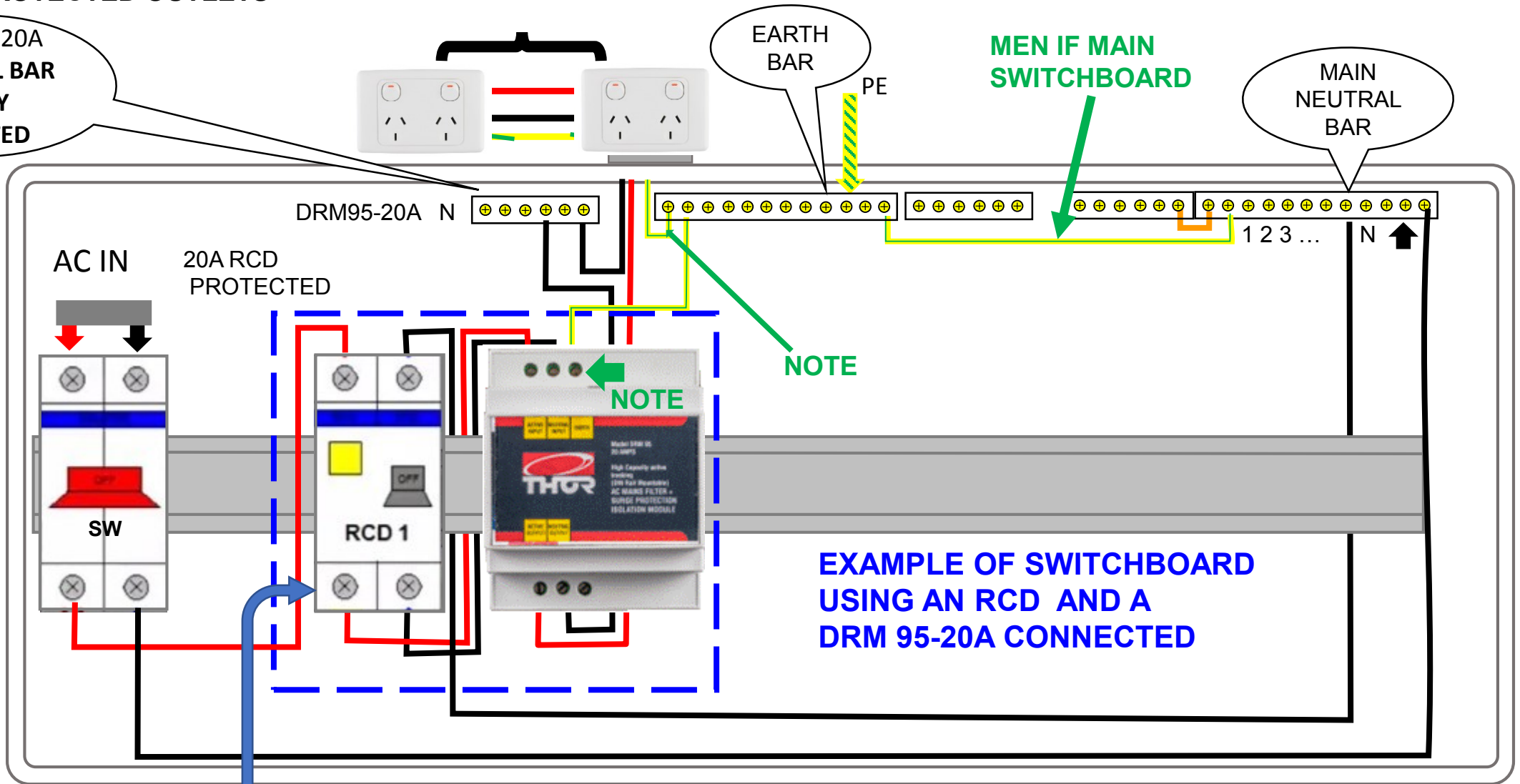
**20A MAX PER CIRCUIT NOT PER OUTLET**

DRM95-20A  
NEUTRAL BAR  
FULLY  
ISOLATED

EARTH  
BAR

MEN IF MAIN  
SWITCHBOARD

MAIN  
NEUTRAL  
BAR



**EXAMPLE OF SWITCHBOARD  
USING AN RCD AND A  
DRM 95-20A CONNECTED**

A 20A RCD is BEST and can be  
used Subject to Regulations

**NOTE: EARTH CONNECTION REQUIRED INPUT ONLY ... FOR OUTPUTS USE EARTH BAR**

**GUIDE ONLY FOR THOR DRM95-20A ... ALL WIRING SUBJECT TO REGULATIONS IN EACH STATE AND TERRITORY**

**FILTERED & SURGE  
PROTECTED OUTLETS**

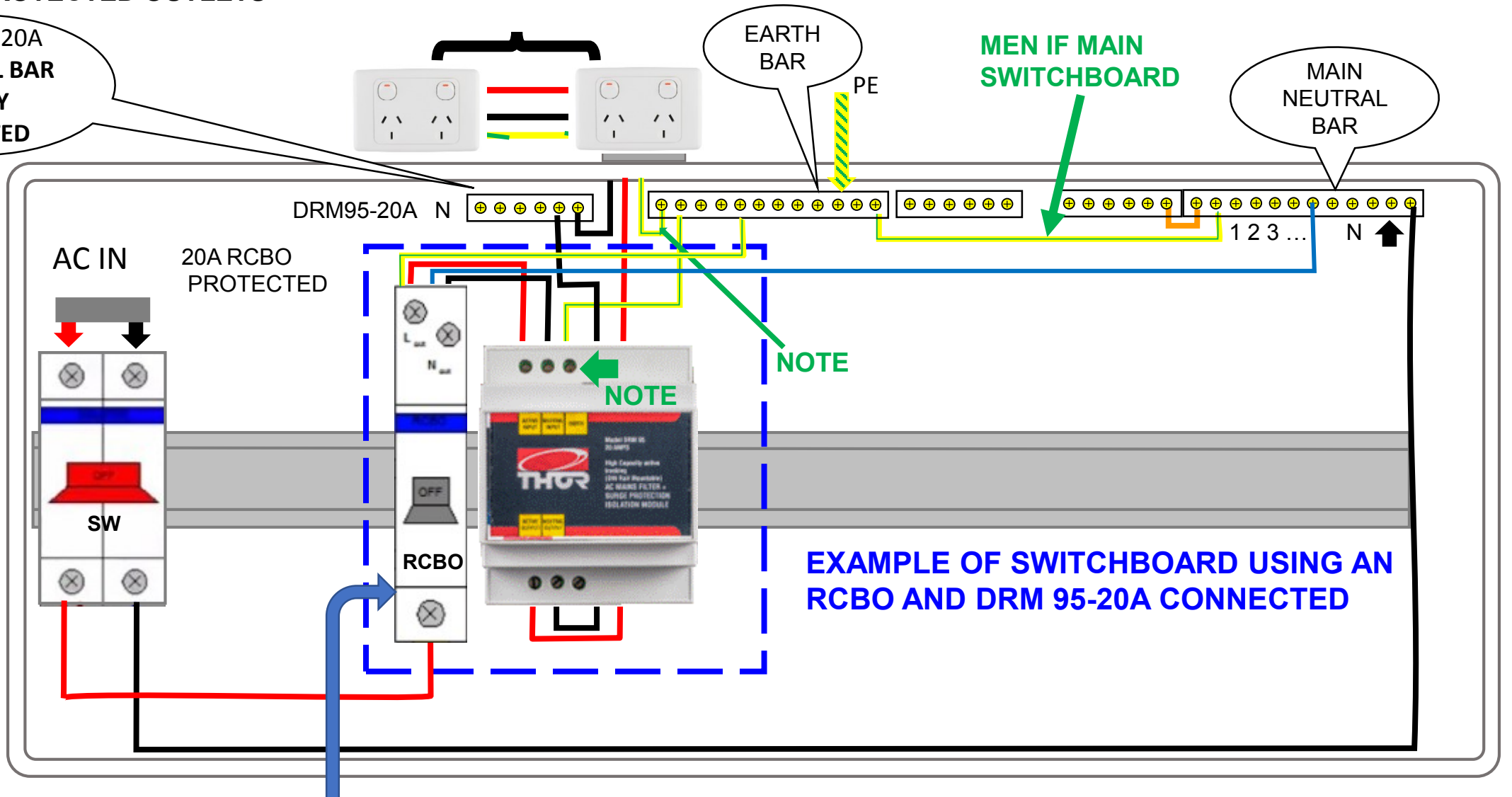
**20A MAX PER CIRCUIT NOT PER OUTLET**

DRM95-20A  
NEUTRAL BAR  
FULLY  
ISOLATED

EARTH  
BAR

MEN IF MAIN  
SWITCHBOARD

MAIN  
NEUTRAL  
BAR



An 20A RCBO can be used  
Subject to Regulations

**NOTE: EARTH CONNECTION REQUIRED INPUT ONLY ... FOR OUTPUTS USE EARTH BAR**

**GUIDE ONLY FOR THOR DRM95-20A ... ALL WIRING SUBJECT TO REGULATIONS IN EACH STATE AND TERRITORY**